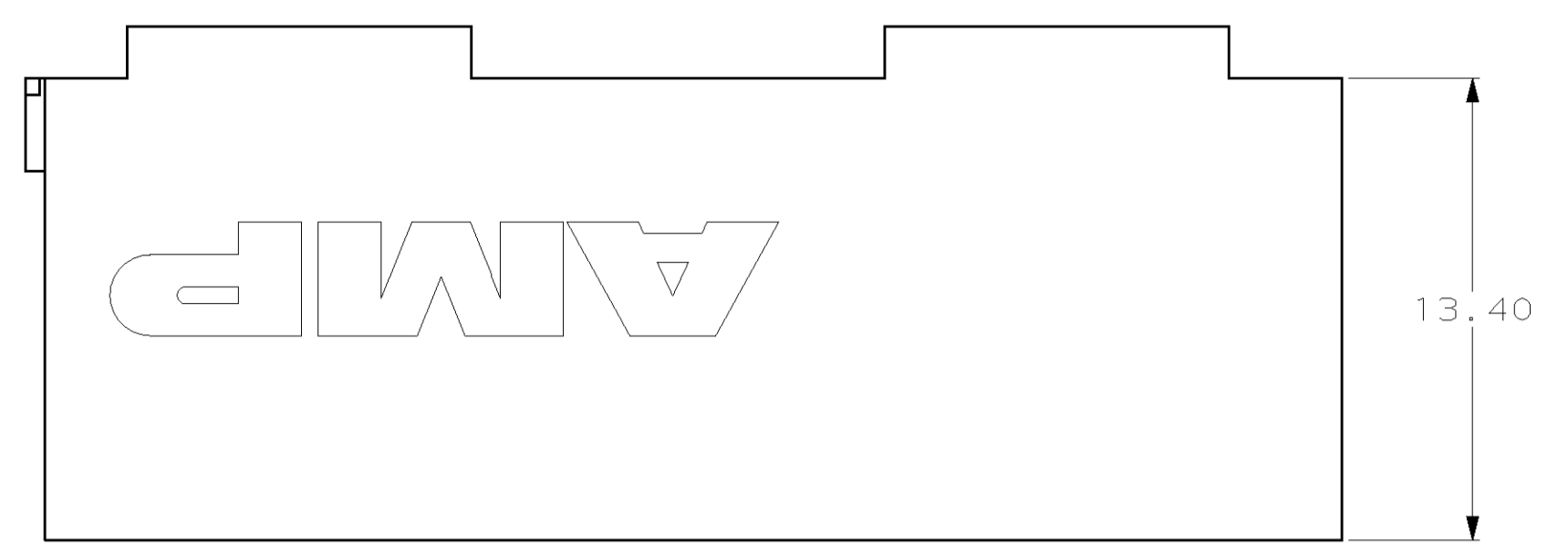
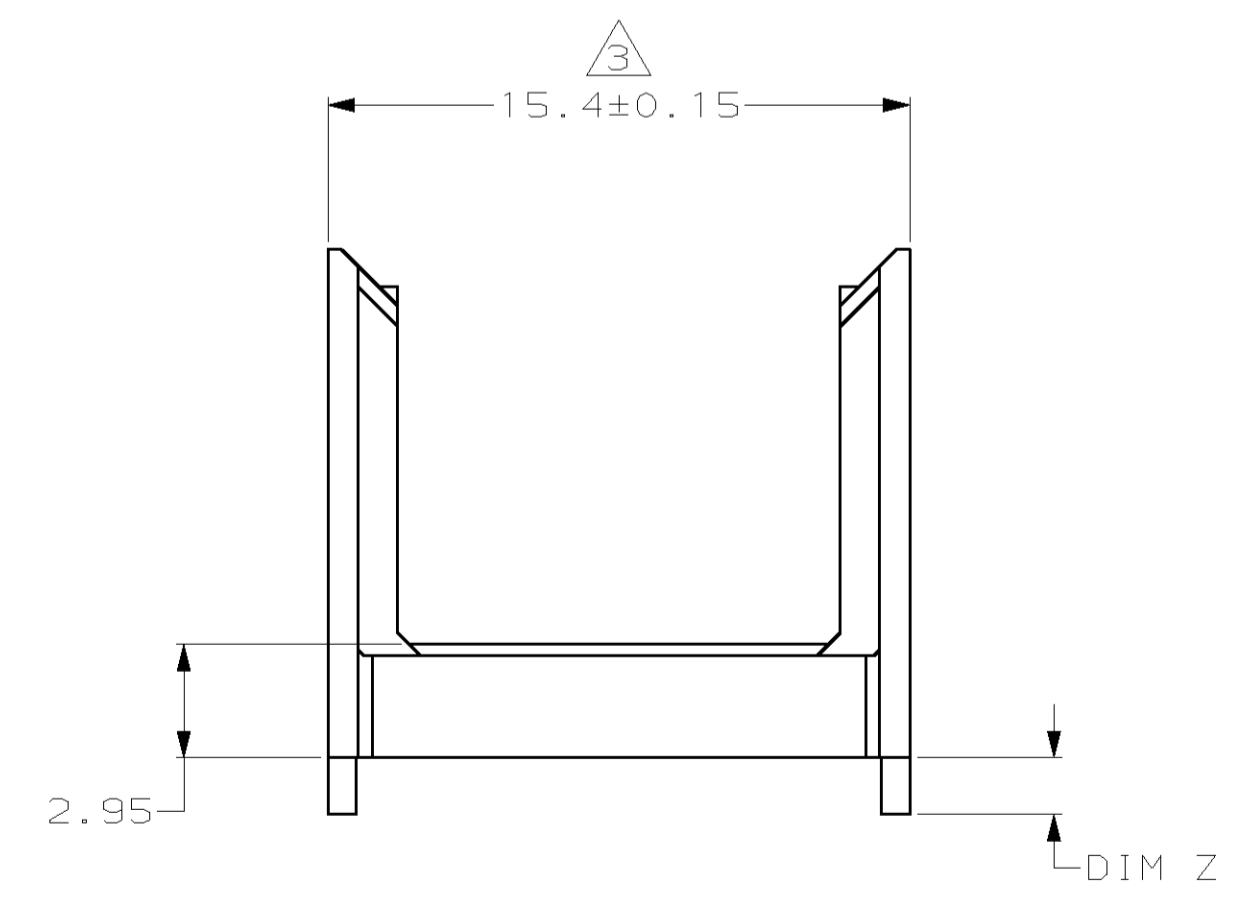
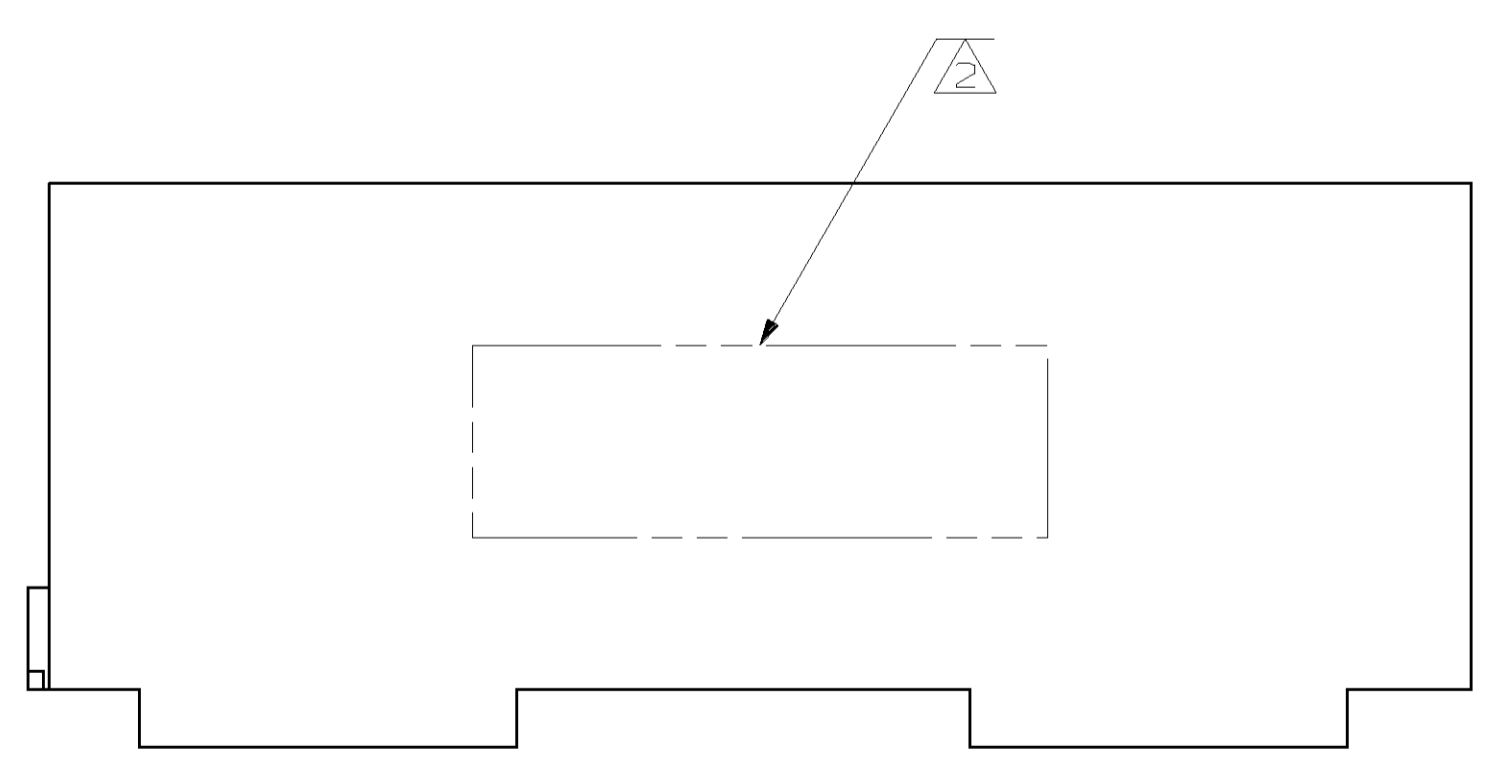
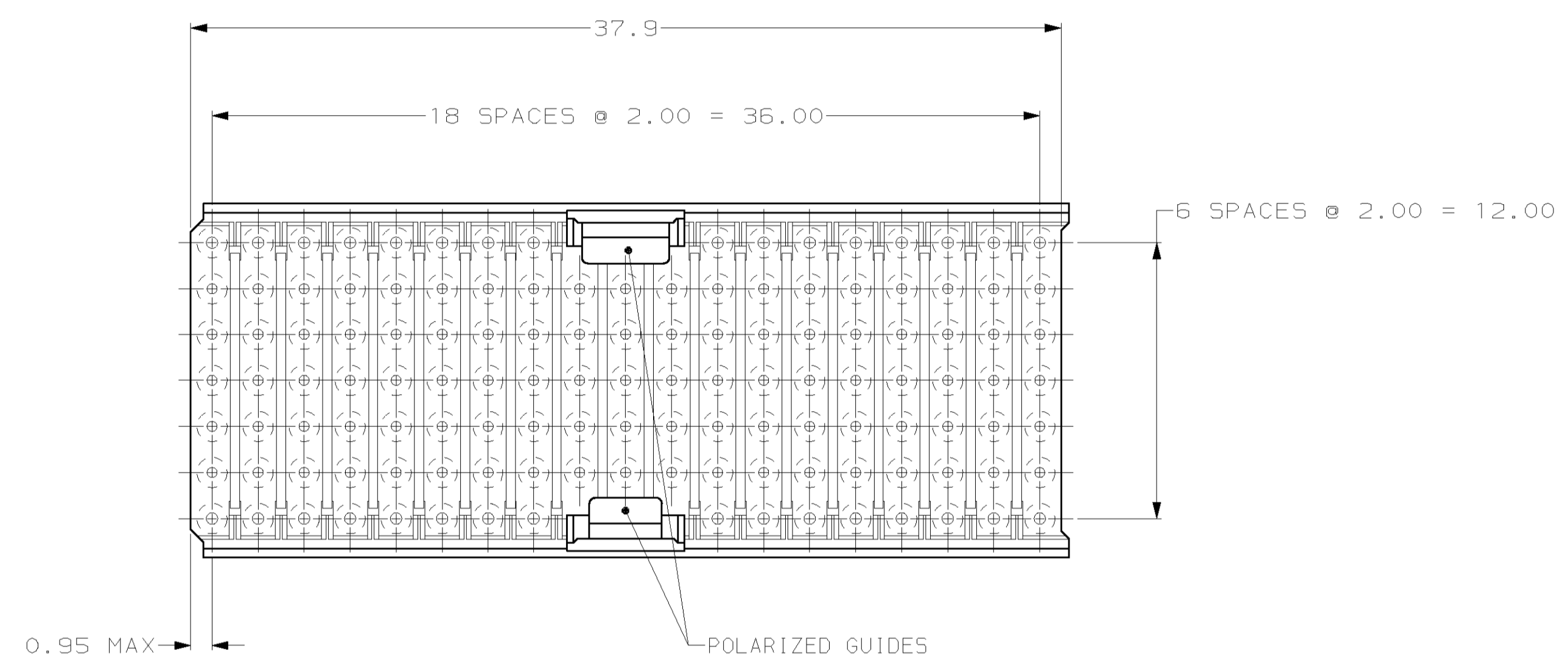


LOC	DIST	REVISIONS			
F	CHR	DESCRIPTION	DATE	OWN	APVD
		B	REVISE PER ECN 0U1B-0389-00	22JAN01	SU RP
		C	REV PER EC 0U1B-0192-01	27 JUN 01	BC RP



- ① MATERIAL: GLASS FILLED POLYESTER.
- ② PART NUMBER MARKED IN APPROXIMATE AREA SHOWN.
- ③ TO BE MEASURED AT BASE OF SHROUD.



1.90	646483-7
1.70	646483-6
1.50	646483-5
1.30	646483-4
1.10	646483-3
0.90	646483-2
-----	646483-1
DIM Z	PART NUMBER

THIS DRAWING IS A CONTROLLED DOCUMENT.

DWN T. SHUEY 6-9-98	CHK G. SKIPPER 11-23-98	NAME G. SKIPPER 11-23-98	AMP Incorporated Harrisburg, PA 17105-3608
DIMENSIONS: mm		TOLERANCES UNLESS OTHERWISE SPECIFIED:	PRODUCT SPEC
		0 PLC ±	APPLICATION SPEC
		1 PLC ±0.1	SIZE CAGE CODE DRAWING NO RESTRICTED TO
		2 PLC ±0.05	A1 00779 C- 646483
		3 PLC ±	SCALE 5:1 SHEET 1 OF 1 REV C
		4 PLC ±	
		ANGLES	
MATERIAL		FINISH	CUSTOMER DRAWING
①			